

aptis

Pricelist with effect from

01st August 2022

:hager

**The reliable
partner for
intelligent
solutions.**

Under one roof

Members
of Hager Group

:hager

B.
Berker

ELCOM.

DAITEM

diagral

ENERGY STORAGE
E3DC

BOCCHIOTTI

IBOCO

One family

The world is changing, and we are changing with it. As a family company, we have grown over the last sixty-five years to become a reliable partner to expert technicians and electrical wholesalers around the world. With more than 11,500 employees and annual sales of €2.3 billion, we have a huge capacity for innovation. All while remaining true to ourselves and to our values. And so we continue today, with a number of well-known brands, each with their own distinctive strengths, working together under the Hager Group umbrella.

Hager Forum in Obernai, France, is a place where we can work with customers and partners to shape the future. It is the perfect symbol of the innovative power of Hager Group.

hagergroup

Your trust

As a partner and customer, you can choose from the entire range of products and services offered by every member of our brand family. For our part, we rely on feedback, ideas and involvement of our customers and partners in the electrical trade. Precise market knowledge and our close relationship with the trade and with end customers have always been the cornerstone of our success. We are now active in more than 100 countries all over the world, yet remain as close to our customers and their individual needs as we have ever been.

Our strengths

We have huge opportunities ahead: the modernisation of existing buildings, intelligent building technology, digital services, new energy sources and technologies: all of this opens up new, exciting potential for you and for us. At the same time, our business requirements are becoming more and more complex. That's why it's so important for you to have Hager Group specialists supporting you with all their expertise. Together, we are stronger. Together, we will overcome the complex challenges of our time with simple, ingenious solutions, just as we have been doing for more than six decades.

Sustainable success with E3

As a family-run business, we think in generations and sustainability is at the core of our business approach. We constantly invest in our employees, their training and further education, optimise our ecological balance sheet, develop more energy-efficient processes and solutions. We operate worldwide and integrate high ethical standards in all our decision making processes. Our Corporate Social Responsibility approach is called “E3”.



Ethics

Our ethical principles determine how we behave towards our customers, our colleagues and society as a whole. Our Hager Group Ethics Charter is shared with all our employees, external customers, partners, suppliers and stakeholders to emphasise our engagement to ethical and sustainable business. Since 2007, we are signatories of the United Nations Global Compact, as such we give preference to suppliers and partners who, like us, respect the principles of ethical and sustainable business.

Environment

Considering products in terms of their lifecycles revolutionises the way in which we view product development, resource usage and our environmental footprint. We provide a full life cycle analysis of all our products and then a Product Environmental Profile (PEP). At a production level, we are continuously looking for ways to reduce our resources consumption. Currently, 16 of our production facility locations and 4 of our distribution centres are certified to the international environmental management standard ISO 14001, which defines globally recognised requirements for environmental management.



Energy

Contributing to the energy transition, our energy storage systems, integrated energy management systems and e-mobility solutions help our customers. It's all about using renewable energy sources, producing energy autonomously and optimising energy consumption. Our environmentally friendly, forward-looking solutions are now developed by Hager Energy.



Stronger together



Together with our partners, employees and customers, we have a strong network that is even able to withstand serious crises.



Daniel Hager
Hager Group CEO

Dear customers, partners and friends of Hager Group.

We live in a time when the ability to react swiftly to changing circumstances is becoming increasingly important. In the face of unpredictability, however, it is equally important to remain focused on your chosen path and to respond to whatever life throws your way calmly, reflectively and with a level head.

There is a special strength in pulling together, in finding common ground, in talking to each other and understanding what the other party needs most and how we can support them. What 2020 has shown us at Hager Group is that, together with our partners, employees and customers, we have a strong network that is even able to withstand serious crises. We have learned just how quickly nowadays seemingly distant events can have a global impact on us all. However, the fact that our world is growing ever smaller also presents us with an opportunity to address problems more quickly and effectively together; by being there for one another and finding solutions together.

It is this certitude that makes me look forward with optimism. It is up to us to turn the challenges of this time into opportunities. Today, our awareness of the importance of our living and working environment is more heightened than ever. And never before have we had such an opportunity to have a positive influence on the design of these important living spaces.

Let us be courageous together and develop ideas about our contribution to achieving a low-carbon world. As a family company committed to sustainable business, we look forward to working with you on solutions that will make the world of tomorrow safer, cleaner and more enjoyable.

Committed to shaping our future together. In this, we continue to rely on the close relationships we have built up with you over the past 66 years.

A handwritten signature in black ink that reads "Daniel Hager". The signature is written in a cursive style with a long horizontal line extending to the right.

Yours sincerely,
Daniel Hager

01 Distribution Boards

aptis range



13-14

02 Protection devices

aptis MCBs / aptis RCCBs / aptis RCBOs / Over Voltage Protection



15-18

03 Control & signaling

Changeover Switches / Isolating Switches / Indicating Lights (LED) / Automatic Changeover and Current Limiter



18-19

04 Protection devices

MCCBs



20-22

05 Energy & lighting control

Time Switches / Movement and Presence Detectors



23

06 insysta™ Wiring accessories

Switches / Push button / Sockets / Regulators & dimmers / Data sockets / VDI module & accessories / USB socket / DND / MMR / Hotel card unit / Shaver socket / Skirting light / Buzzer / Volume controller / Cover & grid plates - Plastic / Cover plates - Real material / Grid plates - Real material / Wall Boxes



24-27

07 Technical information

28-33

aptis range

A range with required features and functionality for safe electrical installations.

Built and launched around the concept of 3A's.

01

Acceptability

The range is packed with feature & benefits. It offers the best functional advantages, while complying to all mandatory standards.

02

Availability

Available through out the country through our wide network of retailers.

03

Affordability

Now experience world class offer to suit your budget.



Distribution boards



MCBs



RCCBs



RCBOs

SPN distribution boards

Characteristics:

- Single Door
- Double Door

Standard Accessories:

- Wires sets
- Insulated busbars
- Insulated neutral bars & earth bar
- Circuit identification labels

Single Door DBs

Description	Pack Qty.	Unit MRP (₹)	Cat. Ref.
4 way, 4 modules	1	900	Y81041
6 way, 6 modules	1	1040	Y81061
8 way, 8 modules	1	1260	Y81081
12 way, 12 modules	1	1490	Y81121
16 way, 16 modules	1	1850	Y81161



Y81081

Double Door DBs

Description	Pack Qty.	Unit MRP (₹)	Cat. Ref.
4 way, 4 modules	1	1435	▶ Y81042
6 way, 6 modules	1	1590	▶ Y81062
8 way, 8 modules	1	1785	▶ Y81082
12 way, 12 modules	1	2125	▶ Y81122
16 way, 16 modules	1	2685	▶ Y81162



Y81122

TPN distribution boards

Characteristics:

- Single Door
- Double Door
- 8 module Incomer & SP MCBs as outgoing

Standard Accessories:

- Wires sets
- Insulated busbars
- Insulated neutral bars & earth bar
- Circuit identification labels

Single Door DBs

(Incomer + Outgoing Modules)

Description	Pack Qty.	Unit MRP (₹)	Cat. Ref.
4 way, 8+12 modules	1	2825	Y82041
6 way, 8+18 modules	1	3500	Y82061
8 way, 8+24 modules	1	4110	Y82081
12 way, 8+36 modules	1	6030	Y82121



Y82041

Double Door DBs

(Incomer + Outgoing Modules)

Description	Pack Qty.	Unit MRP (₹)	Cat. Ref.
4 way, 4+12 modules	1	3535	▶ Y82043
4 way, 8+12 modules	1	3650	▶ Y82042
6 way, 8+18 modules	1	3595	▶ Y82062
8 way, 8+24 modules	1	5365	▶ Y82082
12 way, 8+36 modules	1	7930	▶ Y82122



Y82062

One way enclosures

Characteristics:

- IP30 degree of protection



Y83041

Description	Pack Qty.	Unit MRP (₹)	Cat. Ref.
2 way, 2 modules	1	525	▶ Y83021
4 way, 4 modules	1	555	▶ Y83041

Plug & Socket outlets-metal

Characteristics:

- Supplied with metal plug & socket, provision to mount MCBs



Y84220

Description	Pack Qty.	Unit MRP (₹)	Cat. Ref.
10A 2 Pin + SC*, 1 modules	1	1420	Y84110
20A 2 Pin + SC*, 1 modules	1	1495	▶ Y84120
20A 2 Pin + SC*, 2 modules	1	1645	▶ Y84220
20A 3 Pin + SC*, 4 modules	1	2845	▶ Y84420
32A 3 Pin + SC*, 4 modules	1	3305	▶ Y84432

* SC - Scraping Earth

Phase Selector DB

Characteristics:

- Double Door
- As per IS 8623 - III
- 40A & 63A rotary switches

- Accessories:
-- Wires sets
-- Insulated Bus bars
-- Neutral bars & earth bar



Y85062

Description	Pack Qty.	Unit MRP (₹)	Cat. Ref.
4 Way, 8+12 Modules	1	10135	Y85042
6 Way, 8+18 Modules	1	10805	Y85062
4 Way, 8+12 Modules	1	11730	Y85041
6 Way, 8+18 Modules	1	12005	▶ Y85061
8 Way, 8+24 Modules	1	12730	▶ Y85081
12 Way, 8+36 Modules	1	14295	Y85121

Characteristics:

- Standard: IS / IEC 60898, IEC 60898
- Rated Current: 6 – 63A
- Poles: 1P, 2P, 3P, 4P
- Rated Operating Voltage: 240 / 415V
- Frequency: 50Hz
- Tripping Characteristics: C Curve
- Breaking Capacity: 6000A
- Electrical Endurance: 10000 Operations
- ISI marked
- Terminals: IP2X Terminal
- Capacity: 25sq mm rigid, 16sq mm flexible

Single Pole

Description	Pack Qty.	Unit MRP (₹)	Cat. Ref.
1P 6A C Curve 6kA	12	235	▶ Y1106
1P 10A C Curve 6kA	12	235	▶ Y11101
1P 16A C Curve 6kA	12	235	▶ Y11161
1P 20A C Curve 6kA	12	235	▶ Y11201
1P 25A C Curve 6kA	12	235	▶ Y1125
1P 32A C Curve 6kA	12	235	▶ Y1132
1P 40A C Curve 6kA	12	512	Y1140
1P 50A C Curve 6kA	12	586	Y1150
1P 63A C Curve 6kA	12	586	▶ Y1163



Y11101

Double Pole

Description	Pack Qty.	Unit MRP (₹)	Cat. Ref.
2P 6A C Curve 6kA	6	755	▶ Y1206
2P 10A C Curve 6kA	6	755	Y1210
2P 16A C Curve 6kA	6	755	▶ Y12161
2P 20A C Curve 6kA	6	755	▶ Y1220
2P 25A C Curve 6kA	6	755	▶ Y1225
2P 32A C Curve 6kA	6	755	▶ Y1232
2P 40A C Curve 6kA	6	1147	▶ Y1240
2P 50A C Curve 6kA	6	1269	Y1250
2P 63A C Curve 6kA	6	1269	▶ Y1263



Y1210

Triple Pole

Description	Pack Qty.	Unit MRP (₹)	Cat. Ref.
3P 6A C Curve 6kA	4	1247	▶ Y1306
3P 10A C Curve 6kA	4	1247	▶ Y13101
3P 16A C Curve 6kA	4	1247	▶ Y13161
3P 20A C Curve 6kA	4	1247	▶ Y1320
3P 25A C Curve 6kA	4	1247	▶ Y1325
3P 32A C Curve 6kA	4	1247	▶ Y1332
3P 40A C Curve 6kA	4	1784	▶ Y1340
3P 50A C Curve 6kA	4	1964	Y1350
3P 63A C Curve 6kA	4	1964	▶ Y1363



Y1310

Four Pole

Description	Pack Qty.	Unit MRP (₹)	Cat. Ref.
4P 6A C Curve 6kA	3	1639	Y1406
4P 10A C Curve 6kA	3	1639	▶ Y14101
4P 16A C Curve 6kA	3	1639	▶ Y14161
4P 20A C Curve 6kA	3	1639	▶ Y1420
4P 25A C Curve 6kA	3	1639	▶ Y1425
4P 32A C Curve 6kA	3	1639	▶ Y1432
4P 40A C Curve 6kA	3	2299	▶ Y1440
4P 50A C Curve 6kA	3	2510	Y1450
4P 63A C Curve 6kA	3	2510	▶ Y1463



Y1410

NEW

Characteristics:

- Standard: IS / IEC 60898, IEC 60898
- Rated Current: 6 – 63A
- Poles: 1P, 2P, 3P, 4P
- Rated Operating Voltage: 240 / 415V
- Frequency: 50Hz
- Tripping Characteristics: B Curve

- Breaking Capacity: 10000A
- Electrical Endurance: 10000 Operations
- ISI marked
- Terminals: IP2X Terminal
- Capacity: 25sq mm rigid, 16sq mm flexible



Y7110

Single Pole

Description	Pack Qty.	Unit MRP (₹)	Cat. Ref.
1P 6A 10kA	12	249	Y7106
1P 10A 10kA	12	249	Y7110
1P 16A 10kA	12	249	Y7116
1P 20A 10kA	12	249	Y7120
1P 25A 10kA	12	249	Y7125
1P 32A 10kA	12	249	Y7132
1P 40A 10kA	12	549	Y7140
1P 63A 10kA	12	606	Y7163



Y7220

Double Pole

Description	Pack Qty.	Unit MRP (₹)	Cat. Ref.
2P 6A 10kA	6	758	Y7206
2P 10A 10kA	6	758	Y7210
2P 16A 10kA	6	758	Y7216
2P 20A 10kA	6	758	Y7220
2P 25A 10kA	6	758	Y7225
2P 32A 10kA	6	758	Y7232
2P 40A 10kA	6	1189	Y7240
2P 63A 10kA	6	1268	Y7263



Y7325

Triple Pole

Description	Pack Qty.	Unit MRP (₹)	Cat. Ref.
3P 6A 10kA	4	1226	Y7306
3P 10A 10kA	4	1226	Y7310
3P 16A 10kA	4	1226	Y7316
3P 20A 10kA	4	1226	Y7320
3P 25A 10kA	4	1226	Y7325
3P 32A 10kA	4	1226	Y7332
3P 40A 10kA	4	1841	Y7340
3P 63A 10kA	4	1910	Y7363



Y7410

Four Pole

Description	Pack Qty.	Unit MRP (₹)	Cat. Ref.
4P 6A 10kA	3	1671	Y7406
4P 10A 10kA	3	1671	Y7410
4P 16A 10kA	3	1671	Y7416
4P 20A 10kA	3	1671	Y7420
4P 25A 10kA	3	1671	Y7425
4P 32A 10kA	3	1671	Y7432
4P 40A 10kA	3	2381	Y7440
4P 63A 10kA	3	2440	Y7463

aptis RCCBs

Characteristics:

- Standard: IS 12640-I, IEC 61008
- Rated Current: 25, 40, 63A
- Rated Voltage: 230 / 415VAC
- Poles: 2P, 4P
- Sensitivity: 30, 100, 300mA
- RCCB type: AC
- Rated Residual Making & Breaking capacity: 1500A
- ISI marked
- Terminals: IP2X
- Terminal Capacity: 25sq mm rigid, 16sq.mm flexible

Double Pole

Description	Pack Qty.	Unit MRP (₹)	Cat. Ref.
2P 25A 30mA	1	2791	▶ Y5232
2P 25A 100mA	1	2896	▶ Y5242
2P 25A 300mA	1	2917	Y5252
2P 40A 30mA	1	3272	▶ Y5234
2P 40A 100mA	1	3403	▶ Y5244
2P 40A 300mA	1	3429	Y5254
2P 63A 30mA	1	3953	▶ Y5236
2P 63A 100mA	1	3983	▶ Y5246
2P 63A 300mA	1	4046	▶ Y5256



Y5232

Four Pole

Description	Pack Qty.	Unit MRP (₹)	Cat. Ref.
4P 25A 30mA	1	3706	Y5432
4P 25A 100mA	1	3853	Y5442
4P 25A 300mA	1	3905	Y5452
4P 40A 30mA	1	3779	▶ Y5434
4P 40A 100mA	1	3895	▶ Y5444
4P 40A 300mA	1	3941	▶ Y5454
4P 63A 30mA	1	4359	▶ Y5436
4P 63A 100mA	1	4574	▶ Y5446
4P 63A 300mA	1	4590	▶ Y5456



Y5432

aptis RCBOs

Characteristics:

- Standard: IEC 61009
- Rated Current: 16 - 63A
- Sensitivity : 30, 100 & 300 mA
- Poles: 2 pole and 4 pole
- Rated Operating Voltage: 240 / 415V
- Frequency: 50Hz
- Tripping Characteristics: C Curve
- Type AC
- Breaking Capacity: 10kA
- Earth fault indication
- Type AC
- Breaking Capacity: 10kA
- Earth fault indication
- Positive contact indication
- Terminals: IP2X Terminal
- Capacity: 25sq mm rigid, 16sq mm flexible
- ISI marked

NEW

Description	Sensitivity	Pack Qty.	Unit MRP (₹)	Cat. Ref.
16A, 2P 4 modules	30 mA	1	3247	YA2316
25A, 2P 4 modules	30 mA	1	3247	YA2325
32A, 2P 4 modules	30 mA	1	3548	YA2332
40A, 2P 4 modules	30 mA	1	4217	YA2340
63A, 2P 4 modules	30 mA	1	5050	YA2363
16A, 2P 4 modules	100 mA	1	4058	YA2416
25A, 2P 4 modules	100 mA	1	3979	YA2425
32A, 2P 4 modules	100 mA	1	4058	YA2432
40A, 2P 4 modules	100 mA	1	4668	YA2440
63A, 2P 4 modules	100 mA	1	5400	YA2463
16A, 4P 6 modules	30 mA	1	4572	YA4316
25A, 4P 6 modules	30 mA	1	4572	YA4325
32A, 4P 7 modules	30 mA	1	4715	YA4332
40A, 4P 7 modules	30 mA	1	4784	YA4340
63A, 4P 7 modules	30 mA	1	5665	YA4363
16A, 4P 6 modules	100 mA	1	5051	YA4416
25A, 4P 6 modules	100 mA	1	4934	YA4425
32A, 4P 7 modules	100 mA	1	4986	YA4432
40A, 4P 7 modules	100 mA	1	5135	YA4440
63A, 4P 7 modules	100 mA	1	5830	YA4463
16A, 2P 4 modules	300 mA	1	4191	YA2516
25A, 2P 4 modules	300 mA	1	4191	YA2525
32A, 2P 4 modules	300 mA	1	4191	YA2532
40A, 2P 4 modules	300 mA	1	4806	YA2540
63A, 2P 4 modules	300 mA	1	5501	YA2563
16A, 4P 6 modules	300 mA	1	5315	YA4516
25A, 4P 6 modules	300 mA	1	5124	YA4525
32A, 4P 7 modules	300 mA	1	5124	YA4532
40A, 4P 7 modules	300 mA	1	5230	YA4540
63A, 4P 7 modules	300 mA	1	5931	YA4563



YA2463

Over voltage protection



MZ216

Description	Pack Qty.	Unit MRP (₹)	Cat. Ref.
Over voltage release 230VAC, U _c > 280V, 1 module	1	2863	▶ MZ209
Over voltage + Low voltage release 230VAC, U _c > 280V, 1 module 60VAC < U < 170VAC, U _c > 267VAC	1	3846	▶ MZ215
Over voltage release 230V AC, U > 275 V AC, 3 phase in 1 module Suitable for 3Ph+N	1	5288	▶ MZ216

*Single phase connections need one MZ209/ MZ215 and three phase connections need three MZ209/ MZ215

2 way centre off changeover switches



SFT240N

Characteristics:

- Standard : IEC 60947-1
- Ratings : 25A, 40A & 63A
- No. of Poles : 2P & 4P
- 3 Positions (I-0-II) with centre off
- Utilization category – AC21A
- Mounting on 35mm DIN channel

Double Pole

Description	Pack Qty.	Unit MRP (₹)	Cat. Ref.
25A, 2 modules	1	2335	▶ SFT225N
40A, 2 modules	1	3557	▶ SFT240N
63A, 4 modules	1	3775	▶ SF263

Four Pole

Description	Pack Qty.	Unit MRP (₹)	Cat. Ref.
40A, 4 modules	1	5730	▶ SFT440N
63A, 8 modules	1	6297	▶ SF463

Isolating switches



Y6463

Characteristics:

- Conforms to IEC 60947-III
- AC22A devices used as switch disconnectors in electrical circuit

Double Pole

Description	Pack Qty.	Unit MRP (₹)	Cat. Ref.
40A, 2 modules	6	441	▶ Y6240
63A, 2 modules	6	568	▶ Y6263

Triple Pole

Description	Pack Qty.	Unit MRP (₹)	Cat. Ref.
40A, 3 modules	4	763	▶ Y6340
63A, 3 modules	4	879	▶ Y6363

Four Pole

Description	Pack Qty.	Unit MRP (₹)	Cat. Ref.
40A, 4 modules	3	990	▶ Y6440
63A, 4 modules	3	1046	▶ Y6463

Indicating Lights (LED)



SVN126

Characteristics:

- Standard : IEC 62094-1
- Light : LED type
- Life : 100,000 burning hours
- Modular design, Fits on 35mm DIN Channel
- Triple Indicators for RYB & ON-OFF-TRIP (RGO) in single module

Description	Pack Qty.	Unit MRP (₹)	Cat. Ref.
Green, 1 module	12	736	▶ SVN121
Red, 1 module	12	736	▶ SVN122
Orange, 1 module	12	736	SVN123
Blue, 1 module	12	736	SVN124
Red+Green indicator, 1 module	12	949	SVN126
Red+Green+Orange indicator, 1 module	12	1375	SVN129
Red+Orange+Blue (RYB) indicator, 1 module	12	1375	▶ SVN222

SPN ACCLs

Characteristics:

- IEC 60947 - 3, IEC 60947 - 6
- SPN Modular
- Voltage: 150VAC to 300VAC
- 6000 Operations

- Blinking LED for overload and permanent LED for overload Trip
- Different LED colors for clear differentiation between functions

Description	Pack Qty.	Unit MRP (₹)	Cat. Ref.
Mains 30A, Genset 1.5A	1	2351	▶ EKS301B
Mains 30A, Genset 2.5A	1	2351	▶ EKS302B
Mains 30A, Genset 3A	1	2351	▶ EKS303B
Mains 30A, Genset 4A	1	2351	EKS304B
Mains 30A, Genset 5A	1	2351	▶ EKS305B
Mains 30A, Genset 6A	1	2351	▶ EKS306B
Mains 30A, Genset 9A	1	2351	▶ EKS309B
Mains 30A, Genset 12A	1	2351	▶ EKS312B
Mains 30A, Genset 15A	1	2351	▶ EKS315B
Mains 30A, Genset 20A	1	2351	▶ EKS320B
Mains 30A, Genset 30A (Without Current Limiting)	1	2351	▶ EKS330B



EKS301B

TPN ACCLs

Characteristics:

- IEC 60947 - 6
- TPN / TPN & TPN / SPN
- Voltage: 150VAC to 300VAC

- 10000 Operations
- Genset Start / Stop as standard

TPN / SPN

Description	Pack Qty.	Unit MRP (₹)	Cat. Ref.
Mains 40A, Genset 6A	1	12128	EKT406SG
Mains 40A, Genset 10A	1	12128	EKT410SG
Mains 40A, Genset 16A	1	12128	EKT416SG
Mains 40A, Genset 20A	1	12128	EKT420SG
Mains 40A, Genset 25A	1	12128	EKT425SG
Mains 40A, Genset 30A	1	12128	EKT430SG
Mains 63A, Genset 6A	1	17901	EKT606SG
Mains 63A, Genset 10A	1	17901	EKT610SG
Mains 63A, Genset 16A	1	17901	EKT616SG
Mains 63A, Genset 20A	1	17901	EKT620SG
Mains 63A, Genset 25A	1	17901	EKT625SG
Mains 63A, Genset 30A	1	17901	EKT630SG
Mains 63A, Genset 40A	1	17901	EKT640SG



EKT406SG

TPN / TPN

Description	Pack Qty.	Unit MRP (₹)	Cat. Ref.
Mains 40A, Genset 6A	1	12704	EKT406TG
Mains 40A, Genset 10A	1	12704	EKT410TG
Mains 40A, Genset 16A	1	12704	EKT416TG
Mains 40A, Genset 20A	1	12704	EKT420TG
Mains 40A, Genset 25A	1	12704	EKT425TG
Mains 40A, Genset 30A	1	12704	EKT430TG
Mains 63A, Genset 6A	1	18477	EKT606TG
Mains 63A, Genset 10A	1	18477	EKT610TG
Mains 63A, Genset 16A	1	18477	EKT616TG
Mains 63A, Genset 20A	1	18477	EKT620TG
Mains 63A, Genset 25A	1	18477	EKT625TG
Mains 63A, Genset 30A	1	18477	EKT630TG
Mains 63A, Genset 40A	1	18477	▶ EKT640TG

TPN / TPN (without current limiting)

Description	Pack Qty.	Unit MRP (₹)	Cat. Ref.
Mains 40A, Genset 40A	1	12704	▶ EKT440TG
Mains 63A, Genset 63A	1	30595	▶ EKT663TG

Characteristics:

- Complies with IEC 60947-2
- 6 Frame sizes (x160/x250, H250, H400/630, H1000, H1600)
- Poles: 3 pole and 4 poles
- Thermal Magnetic and electronic Trip Units
- Calibrated at 50°C
- Frequency: 50Hz
- Current Limiting type (Cat A)
- Breaking Capacity: 18, 25, 40 kA
- Isolation marking
- Complete range of accessories
- International Certification and approvals

X160 frame MCCB
fixed overload, fixed short circuit
 breaking capacity
 Icu : 18kA



HDA125Z

Description	Pack Qty.	Unit MRP (₹)	Cat. Ref.
32A, 3 pole	1	5685	HDA032Z
40A, 3 pole	1	5685	HDA040Z
50A, 3 pole	1	5685	HDA050Z
63A, 3 pole	1	5685	▶ HDA063Z
80A, 3 pole	1	5685	HDA080Z
100A, 3 pole	1	5685	▶ HDA100Z
125A, 3 pole	1	7038	▶ HDA125Z
160A, 3 pole	1	7597	▶ HDA160Z

Description	Pack Qty.	Unit MRP (₹)	Cat. Ref.
32A, 4 pole	1	6536	HDA033Z
40A, 4 pole	1	6536	HDA041Z
63A, 4 pole	1	6536	▶ HDA064Z
80A, 4 pole	1	6536	HDA081Z
100A, 4 pole	1	6536	▶ HDA101Z
125A, 4 pole	1	7393	▶ HDA126Z
160A, 4 pole	1	8041	▶ HDA161Z

X160 frame MCCB
fixed overload, fixed short circuit
 breaking capacity
 Icu : 25kA



HHA125Z

Description	Pack Qty.	Unit MRP (₹)	Cat. Ref.
32A, 3 pole	1	7049	HHA032Z
40A, 3 pole	1	7049	HHA040Z
50A, 3 pole	1	7049	HHA050Z
63A, 3 pole	1	7049	HHA063Z
80A, 3 pole	1	7049	HHA080Z
100A, 3 pole	1	7049	▶ HHA100Z
125A, 3 pole	1	9510	▶ HHA125Z
160A, 3 pole	1	11861	▶ HHA160Z

Description	Pack Qty.	Unit MRP (₹)	Cat. Ref.
32A, 4 pole	1	9614	HHA033Z
40A, 4 pole	1	9614	HHA041Z
50A, 4 pole	1	9614	HHA051Z
63A, 4 pole	1	9614	▶ HHA064Z
80A, 4 pole	1	9614	HHA081Z
100A, 4 pole	1	9614	▶ HHA101Z
125A, 4 pole	1	12294	▶ HHA126Z
160A, 4 pole	1	14917	▶ HHA161Z

X160 frame MCCB
overload adjustable 0.63-0.8-1 x I_n
short circuit fixed
 breaking capacity
 I_{cu} : 18kA

Description	Pack Qty.	Unit MRP (₹)	Cat. Ref.
40A, 3 pole	1	6401	HDA040U
63A, 3 pole	1	6401	HDA063U
80A, 3 pole	1	6401	HDA080U
100A, 3 pole	1	6401	HDA100U
125A, 3 pole	1	7613	HDA125U
160A, 3 pole	1	8820	HDA160U



HDA161U

Description	Pack Qty.	Unit MRP (₹)	Cat. Ref.
40A, 4 pole	1	7701	HDA041U
63A, 4 pole	1	7701	HDA064U
80A, 4 pole	1	7701	HDA081U
100A, 4 pole	1	7701	▶ HDA101U
125A, 4 pole	1	8883	▶ HDA126U
160A, 4 pole	1	9886	HDA161U

X160 frame MCCB
overload adjustable 0.63-0.8-1 x I_n
short circuit fixed
 breaking capacity
 I_{cu} : 25kA

Description	Pack Qty.	Unit MRP (₹)	Cat. Ref.
40A, 3 pole	1	8041	HHA040U
63A, 3 pole	1	8041	HHA063U
80A, 3 pole	1	8041	HHA080U
100A, 3 pole	1	8041	HHA100U
125A, 3 pole	1	9802	HHA125U
160A, 3 pole	1	12065	HHA160U



HHA161U

Description	Pack Qty.	Unit MRP (₹)	Cat. Ref.
40A, 4 pole	1	10868	HHA041U
63A, 4 pole	1	10868	HHA064U
80A, 4 pole	1	10868	HHA081U
100A, 4 pole	1	10868	HHA101U
125A, 4 pole	1	12786	HHA126U
160A, 4 pole	1	15638	▶ HHA161U

X160 frame MCCB
overload adjustable 0.63-0.8-1 x I_n
short circuit fixed
 breaking capacity
 I_{cu} : 40kA

Description	Pack Qty.	Unit MRP (₹)	Cat. Ref.
40A, 3 pole	1	9948	HNA040U
63A, 3 pole	1	9948	HNA063U
80A, 3 pole	1	9948	HNA080U
100A, 3 pole	1	9948	HNA100U
125A, 3 pole	1	11923	HNA125U
160A, 3 pole	1	14917	HNA160U



HNA126U

Description	Pack Qty.	Unit MRP (₹)	Cat. Ref.
40A, 4 pole	1	13214	HNA041U
63A, 4 pole	1	13214	HNA064U
80A, 4 pole	1	13214	HNA081U
100A, 4 pole	1	13214	HNA101U
125A, 4 pole	1	14332	HNA126U
160A, 4 pole	1	17060	HNA161U



HNB100U

X250 frame MCCB
fixed overload,
fixed short circuit
Icu : 25kA

Description	Pack Qty.	Unit MRP (₹)	Cat. Ref.
200A, 3 pole	1	14562	▶ HNB200Z
250A, 3 pole	1	18188	▶ HNB250Z
200A, 4 pole	1	15142	▶ HNB201Z
250A, 4 pole	1	19771	▶ HNB251Z

Over load adjustable 0.63-0.8-1 x In
X250 frame MCCB
short circuit adjustable
6-8-10-13 x In (100-200A)
5-7-9-11 x In (250A)
Icu : 40kA

Description	Pack Qty.	Unit MRP (₹)	Cat. Ref.
100A, 3 pole	1	11087	HNB100U
125A, 3 pole	1	12362	HNB125U
160A, 3 pole	1	16349	HNB160U
200A, 3 pole	1	17352	HNB200U
250A, 3 pole	1	23377	HNB250U
100A, 4 pole	1	14207	HNB101U
125A, 4 pole	1	14923	HNB126U
160A, 4 pole	1	18815	HNB161U
200A, 4 pole	1	25148	HNB201U
250A, 4 pole	1	28131	▶ HNB251U

MCCBs Accessories

X160 Frame MCCB



HXA021H

Description	Pack Qty.	Unit MRP (₹)	Cat. Ref.
Auxiliary Contact	1	1184	▶ HXA021H
Alarm Contact	1	1190	▶ HXA024H
Shunt 24V DC	1	2457	HXA001H
Shunt 230V AC	1	2457	▶ HXA004H
UnderVoltage - 24V DC	1	2977	▶ HXA011H
UnderVoltage - 240V AC	1	2977	▶ HXA014H
UnderVoltage - 415V AC	1	2977	HXA015H
Direct Rotary Handle	1	1488	▶ HXA030H
Extended Rotary Handle	1	2091	▶ HXA031H
Spreaders - 3P	1	572	▶ HYA014H
Speaders - 4P	1	767	▶ HYA015H
Phase barriers - 3P / 4P	1	216	HYB019H
DIN Rail Adaptor	1	422	HYA033H

x250 Frame MCCB



HXA014H

Description	Pack Qty.	Unit MRP (₹)	Cat. Ref.
Auxiliary Contact	1	1184	▶ HXA021H
Alarm Contact	1	1190	▶ HXA024H
Shunt 24V DC	1	2457	HXA001H
Shunt 230V AC	1	2457	▶ HXA004H
UnderVoltage - 24V DC	1	2977	▶ HXA011H
UnderVoltage - 240V AC	1	2977	▶ HXA014H
UnderVoltage - 415V AC	1	2977	HXA015H
Direct Rotary Handle	1	1566	HXB030H
Extended Rotary Handle	1	2333	▶ HXB031H
Motor Operator 240VAC	1	24051	HXB042H
Spreaders - 3P	1	654	▶ HYB011H
Speaders - 4P	1	891	▶ HYB012H
Phase barriers - 3P / 4P	1	216	HYB019H

Electromechanical time switches

Characteristics:

- Standard: IEC 60730
- Programming by captive segments
- Battery reserve of 200 hrs.
- Manual over ride function
- Sealing of cover to avoid unwanted modifications

Description	Pack Qty.	Unit MRP (₹)	Cat. Ref.
Quartz 1 channel 1 daily dial 1 module	1	3193	▶ EH011
Quartz 1 channel 1 daily dial 3 modules	1	3271	▶ EH111
Quartz 1 channel 1 daily dial	1	3084	▶ EH711
Quartz 1 channel weekly dial	1	3474	EH771



EH711

Movement and presence detectors-ceiling mounted

Characteristics:

- To automatically switch on-off loads based upon human presence

Movement detectors

Inbuilt ambient light sensor with adjustable lux level 5 to 1000 lux adjustable time delay upto 15 mins

Presence detectors

Inbuilt ambient light sensor with adjustable lux level 5 to 1200 lux adjustable time delay upto 1 Hr

Movement detectors

Description	Pack Qty.	Unit MRP (₹)	Cat. Ref.
Single lens, 360 deg., 6m dia detection 10A AC 1, 1 channel, surface mounted	1	5070	▶ EE804A
Single lens, 360 deg., 6m dia detection 10A AC 1, 1 channel, flush mounted	1	5070	▶ EE805A



EE804

Presence detectors

Description	Pack Qty.	Unit MRP (₹)	Cat. Ref.
Dual lens, 360 deg., 13m x 7m detection 16A AC 1, 1 channel, surface mounted	1	9875	▶ EE810
Dual lens, 360 deg., 13m x 7m detection 16A & 2A AC 1, 2 channels, surface mounted	1	11380	▶ EE811



EE883

Hyper frequency motion detector

Description	Pack Qty.	Unit MRP (₹)	Cat. Ref.
1 channel, Area detection: 1m - 8m, Surface mounted Time delay: 5 s - 15mins Twilight adjustment: 2 - 2000 lux	1	13545	EE883



WSNSW11

insysta™ 6AX switches

Description	Module size	Cat. Ref.	Unit MRP (₹)
1 way glossy white	1	▶ WSNSW11	158
1 way glossy white with LED	1	▶ WSNSL11	249
1 way anthracite	1	▶ WSNSW11A	191
1 way anthracite with LED	1	WSNSL11A	297
2 way glossy white	1	▶ WSNSW21	222
2 way anthracite	1	▶ WSNSW21A	265



WSNSW31

insysta™ 10AX switches

Description	Module size	Cat. Ref.	Unit MRP (₹)
1 way glossy white	1	▶ WSNSW31	195
1 way anthracite	1	WSNSW31A	237



WSNSW61

insysta™ 16AX switches

Description	Module size	Cat. Ref.	Unit MRP (₹)
1 way glossy white	1	▶ WSNSW51	294
1 way glossy white with LED	1	▶ WSNSL51	282
1 way anthracite	1	▶ WSNSW51A	320
1 way anthracite with LED	1	▶ WSNSL51A	341
2 way glossy white	1	WSNSW61	319
2 way anthracite	1	WSNSW61A	384



WSNSL71

insysta™ 20AX switches

Description	Module size	Cat. Ref.	Unit MRP (₹)
1 way glossy white	1	▶ WSNSW71	287
1 way glossy white with LED	1	▶ WSNSL71	309
1 way anthracite	1	WSNSW71A	346
1 way anthracite with LED	1	WSNSL71A	367



WSNSW81

insysta™ 20A / 32A Double Pole switches with LED

Description	Module size	Cat. Ref.	Unit MRP (₹)
20A DP 1 way glossy white	2	▶ WSNSW81	628
20A DP 1 way anthracite	2	WSNSW81A	751
32A DP 1 way glossy white	2	▶ WSNSL92	887
32A DP 1 way anthracite	2	WSNSL92A	1066



WSNMS12

insysta™ 25A motor starter switches

Description	Module size	Cat. Ref.	Unit MRP (₹)
glossy white	3	WSNMS12	726
anthracite	3	WSNMS12A	871

insysta™ Push button



WSNBP11

Description	Module size	Cat. Ref.	Unit MRP (₹)
6A glossy white	1	▶ WSNBP11	227
6A glossy white with Indicator	1	WSNBP21	309
6A glossy white	2	▶ WSNBP12	330
6A glossy white with Indicator	2	WSNBP22	395
6A anthracite	1	WSNBP11A	276
6A anthracite with Indicator	1	WSNBP21A	367
6A anthracite	2	WSNBP12A	395
6A anthracite with Indicator	2	WSNBP22A	481

insysta™ Sockets



WSNSK42

Description	Module size	Cat. Ref.	Unit MRP (₹)
6 / 16A glossy white Protruded	2	▶ WSNSK42	380
6 / 16A glossy white	3	WSNSK53	461
6 / 16A anthracite Protruded	2	▶ WSNSK42A	456
6 / 16A anthracite	3	WSNSK53A	561
6A Indian socket glossy white	2	▶ WSNSK72	283
6A Indian socket anthracite	2	▶ WSNSK72A	370

insysta™ Regulators & dimmers



WSNFC22

Description	Module size	Cat. Ref.	Unit MRP (₹)
100W glossy white fan regulator	1	▶ WSNFC11	775
120W glossy white fan regulator	2	▶ WSNFC22	1050
400W glossy white incandescent rotary dimmer	1	WSNDM11	942
1000W glossy white incandescent rotary dimmer	2	WSNDM22	1864
100W anthracite fan regulator	1	WSNFC11A	919
120W anthracite fan regulator	2	WSNFC22A	1257
400W anthracite incandescent rotary dimmer	1	WSNDM11A	1119
1000W anthracite incandescent rotary dimmer	2	WSNDM22A	2239

insysta™ Data sockets



WSNDS11

Description	Module size	Cat. Ref.	Unit MRP (₹)
glossy white RJ11 single	1	▶ WSNDS11	245
glossy white RJ11 twin	1	WSNDS21	336
glossy white RJ45 cat 5e	1	WSNDS31	612
glossy white RJ45 cat 6	1	▶ WSNDS41	719
anthracite RJ11 single	1	▶ WSNDS11A	298
anthracite RJ11 twin	1	WSNDS21A	402
anthracite RJ45 cat 5e	1	WSNDS31A	740
anthracite RJ45 cat 6	1	WSNDS41A	862

insysta™ VDI module & accessories



WSNDT11



WSNDT31

Description	Module size	Cat. Ref.	Unit MRP (₹)
glossy white HDMI Port	1	WSNDT21	1770
glossy white 3x female RCA AV Connector	1	WSNDT31	2385
glossy white female HD VGA 15AV Connector	1	WSNDT42	3070
glossy white Co-Axial TV socket	1	▶ WSNDT11	196
glossy white cord outlet	1	WSNDS71	264
glossy white blanking plate	1	▶ WSNBK11	48
anthracite HDMI Port	1	WSNDT21A	2123
anthracite 3x female RCA AV Connector	1	WSNDT31A	2803
anthracite female HD VGA 15AV Connector	1	WSNDT42A	3614
anthracite Co-Axial TV socket	1	WSNDT11A	242
anthracite cord outlet	1	WSNDS71A	320
anthracite blanking plate	1	▶ WSNBK11A	55



WSNDS51

insysta™ USB sockets

Description	Module size	Cat. Ref.	Unit MRP (₹)
glossy white USB Port	1	WSNDS51	1418
anthracite USB Port	1	WSNDS51A	1698
2A glossy white USB charger	1	▶ WSNDS61	2561
2A anthracite USB charger	1	WSNDS61A	2909



WSNHS22

insysta™ Hospitality range

Description	Module size	Cat. Ref.	Unit MRP (₹)
DND / MMR			
glossy white external DND/MMR with door bell switch & light indicator for DND/MMR	2	WSNHS12	1646
glossy white internal DND/MMR control & light indicator for DND/MMR	2	WSNHS22	1207
anthracite external DND/MMR with door bell switch & light indicator DND/MMR	2	WSNHS12A	1975
anthracite internal DND/MMR control & light indicator for DND/MMR	2	WSNHS22A	1447



WSNHS12

Hotel card unit

glossy white hotel key card	3	WSNHS32	4410
anthracite hotel key card	3	WSNHS32A	5290

Shaver socket

glossy white shaver socket	4	WSNHS44	4938
anthracite shaver socket	4	WSNHS44A	5925

Skirting light

glossy white skirting light with white LED	2	▶ WSNHS52	869
anthracite skirting light with white LED	2	WSNHS52A	1055



WSNHS62

Buzzer

glossy white buzzer	2	WSNHS62	1097
anthracite buzzer	2	WSNHS62A	1317

Volume controller

glossy white volume controller	2	WSNHS72	1418
anthracite volume controller	2	WSNHS72A	1578

insysta™ Cover plates - Plastic



WSNCG1

Pack qty.	Module size	Glossy white		Anthracite (Dark Grey)		Aluminium	
		Cat. Ref.	Unit MRP (₹)	Cat. Ref.	Unit MRP (₹)	Cat. Ref.	Unit MRP (₹)
15	1	▶ WSNCG1	148	▶ WSNCG1A	268	WSNCG1S	263
15	2	▶ WSNCG2	155	▶ WSNCG2A	284	WSNCG2S	279
10	3	▶ WSNCG3	176	▶ WSNCG3A	303	▶ WSNCG3S	302
10	4	▶ WSNCG4	181	WSNCG4A	346	▶ WSNCG4S	341
5	6	▶ WSNCG6	336	▶ WSNCG6A	577	▶ WSNCG6S	575
5	8	▶ WSNCG8	363	▶ WSNCG8A	639	▶ WSNCG8S	636
5	8	▶ WSNCGS8	473	WSNCGS8A	825	WSNCGS8S	809
5	12	▶ WSNCG12	600	WSNCG12A	1071	WSNCG12S	1049
5	18	▶ WSNCG18	813	WSNCG18A	1413	WSNCG18S	1384

insysta™ Cover plates - Real material



WSNCG1GW

Pack qty.	Module size	White glass		Black glass	
		Cat. Ref.	Unit MRP (₹)	Cat. Ref.	Unit MRP (₹)
1	1	WSNCG1GW	1879	WSNCG1GB	1941
1	2	WSNCG2GW	2112	WSNCG2GB	2172
1	3	WSNCG3GW	2681	WSNCG3GB	2741
1	4	WSNCG4GW	2764	WSNCG4GB	2819
1	6	WSNCG6GW	3933	WSNCG6GB	3993
1	8	WSNCG8GW	4643	WSNCG8GB	4636
1	8	WSNCGS8GW	4631	WSNCGS8GB	4687
1	12	WSNCG12GW	5223	WSNCG12GB	5285



WSNG3

insysta™ Grid plates - Real material

Description	Pack qty.	Module size	Cat. Ref.	Unit MRP (₹)
Grid Plate - 1 module	1	1	WSNG1	93
Grid Plate - 2 module	1	2	WSNG2	93
Grid Plate - 3 module	1	3	WSNG3	103
Grid Plate - 4 module	1	4	WSNG4	136
Grid Plate - 6 module	1	6	WSNG6	185
Grid Plate - 8 module (Horizontal)	1	8	WSNG8	228
Grid Plate - 8 module (Square)	1	8	WSNG8S	239
Grid Plate - 12 module	1	12	WSNG12	344

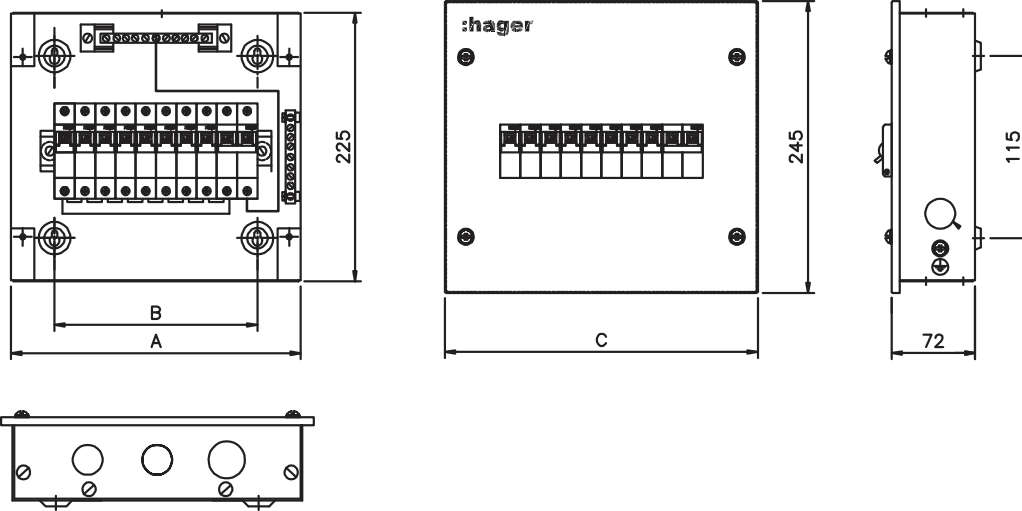


WSNMB3

insysta™ Wall boxes

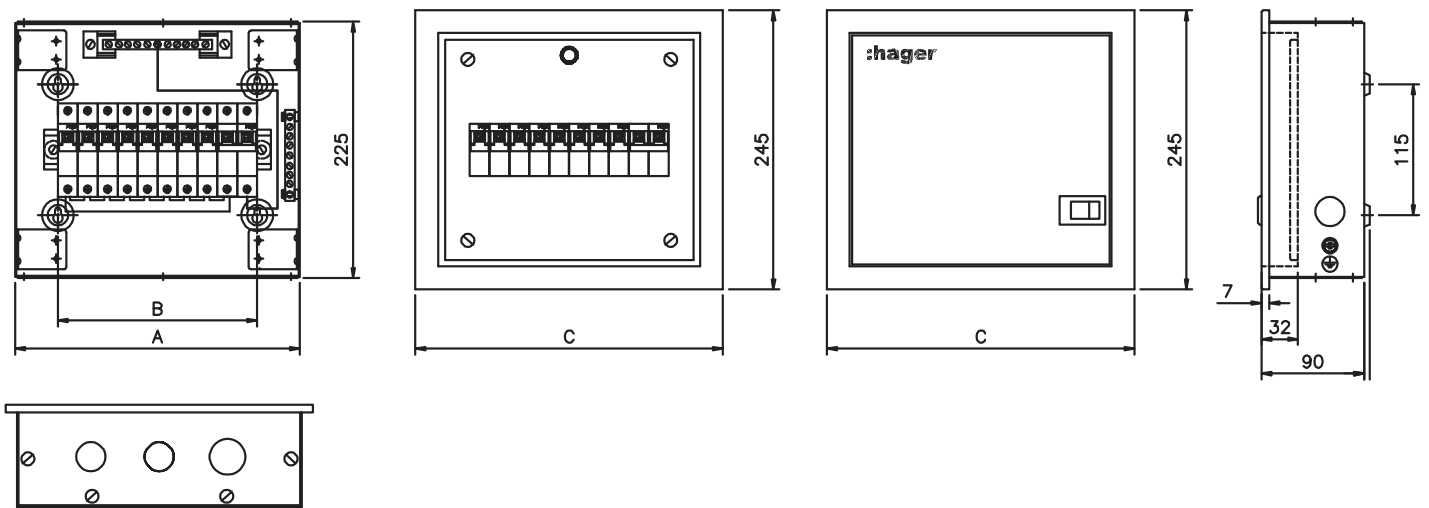
Description	Pack qty.	Module size	Cat. Ref.	Unit MRP (₹)
Metal Mounting Boxes 1 & 2	60	2	▶ WSNMB2	114
Metal Mounting Boxes 3 module	45	3	▶ WSNMB3	114
Metal Mounting Boxes 4 module	30	4	▶ WSNMB4	150
Metal Mounting Boxes 6 module	20	6	▶ WSNMB6	237
Metal Mounting Boxes 8 module (Horizontal)	15	8	▶ WSNMB8H	278
Metal Mounting Boxes 8 module (Square)	24	8	▶ WSNMB8R	279
Metal Mounting Boxes 12 module	16	12	▶ WSNMB12	420
Metal Mounting Boxes 18 module	10	18	▶ WSNMB18	531

Single Door



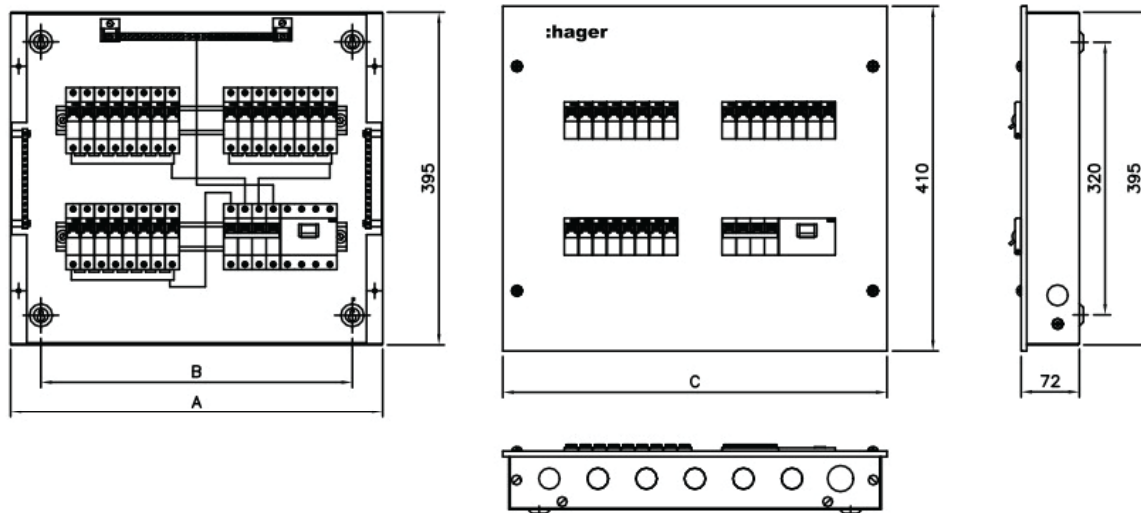
WAY	CODE	A	B	C	Ø32,K'OUT		Ø26,K'OUT		SIDE K'OUT	
					TOP & BOTTOM	TOP & BOTTOM	LH	RH		
4	Y81041	140	65	160	1 NO	1 NO	1 NO	1 NO	1 NO	1 NO
6	Y81061	175	100	195	1 NO	1 NO	1 NO	1 NO	1 NO	1 NO
8	Y81081	210	135	230	1 NO	2 NOS	1 NO	1 NO	1 NO	1 NO
12	Y81121	285	210	305	1 NO	3 NOS	1 NO	1 NO	1 NO	1 NO
16	Y81161	365	290	385	1 NO	4 NOS	1 NO	1 NO	1 NO	1 NO

Double Door



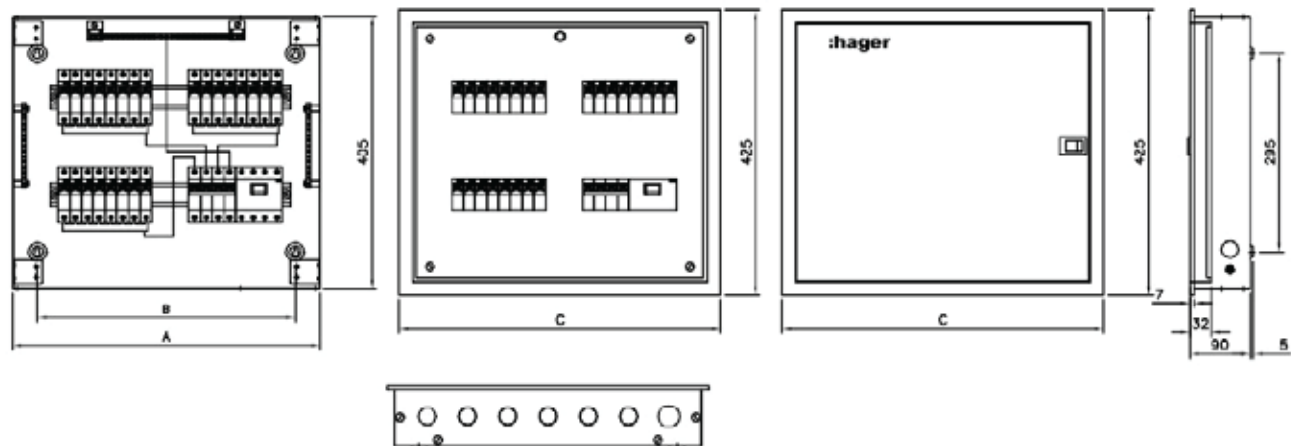
WAY	DB CODE	A	B	C	Ø32,K'OUT		Ø26,K'OUT		SIDE K'OUT	
					TOP & BOTTOM	TOP & BOTTOM	LH	RH		
4	Y81042	140	65	160	1 NO	1 NO	1 NO	1 NO	1 NO	1 NO
6	Y81062	175	100	195	1 NO	1 NO	1 NO	1 NO	1 NO	1 NO
8	Y81082	210	135	230	1 NO	2 NOS	1 NO	1 NO	1 NO	1 NO
12	Y81122	285	210	305	1 NO	3 NOS	1 NO	1 NO	1 NO	1 NO
16	Y81162	365	290	385	1 NO	4 NOS	1 NO	1 NO	1 NO	1 NO

Single Door

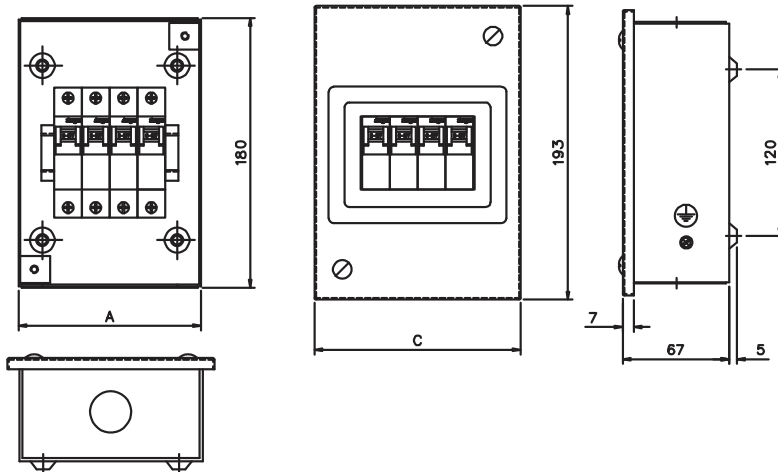


WAY	DB CODE	A	B	C	TOP & BOTTOM	TOP & BOTTOM	LH	RH
4	Y82041	330	255	350	1 NO	4 NOS	1 NO	1 NO
6	Y82061	365	290	385	1 NO	4 NOS	1 NO	1 NO
8	Y82081	460	385	480	1 NO	6 NOS	1 NO	1 NO
12	Y82121	600	525	620	1 NO	8 NOS	1 NO	1 NO

Double Door

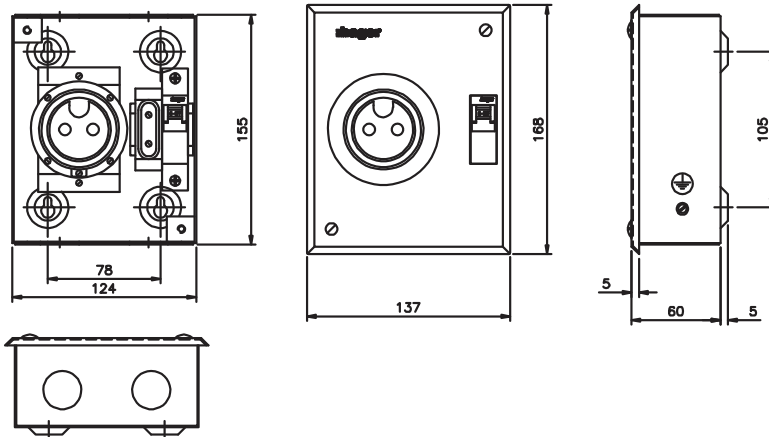


WAY	DB CODE	A	B	C	ø32,K'OUT		ø26,K'OUT		SIDE K'OUT	
					TOP & BOTTOM	TOP & BOTTOM	LH	RH		
4	Y82043	280	205	300	1 NO	4 NOS	1 NO	1 NO	1 NO	1 NO
4	Y82042	330	255	350	1 NO	4 NOS	1 NO	1 NO	1 NO	1 NO
6	Y82062	365	290	385	1 NO	4 NOS	1 NO	1 NO	1 NO	1 NO
8	Y82082	460	385	480	1 NO	6 NOS	1 NO	1 NO	1 NO	1 NO
12	Y82122	600	525	620	1 NO	8 NOS	1 NO	1 NO	1 NO	1 NO

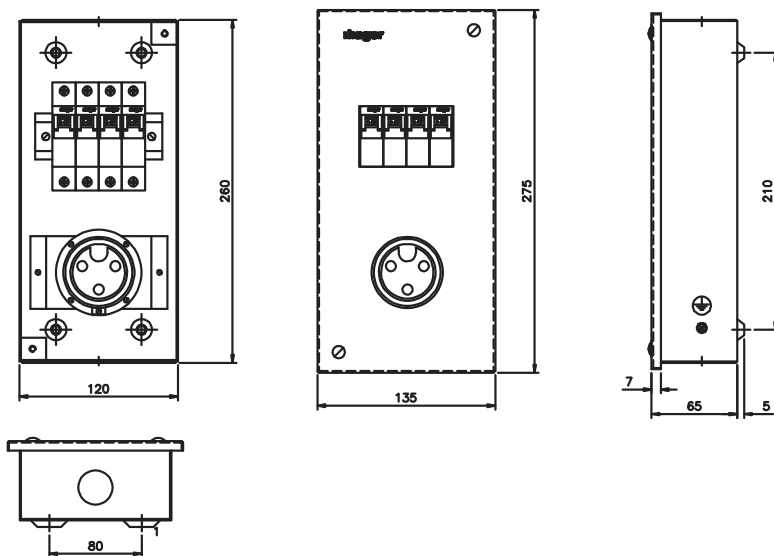


CODE	DB CODE	A	B	C
2 WAY	Y83021	85	45	100
4 WAY	Y83041	120	80	135

Metal Plug & Socket



DB CODE
Y84110/Y84120



DB CODE
Y84420/Y84432

S.No.	Items	Load/Wattage	MCB rating
1	Fan	60W	*
2	Lamp, Tubelight	40W	*
3	Room Heater	200W	1 A
4	Water Heater 8 ltrs 15 ltrs 60 ltrs	1200-2000W 3000-4000W 4000-6000W	10 A 20 A 32 A
5	Immersion Heater	1000W	6 A
6	Hot Plate-single	1000W	6 A
7	Iron-Nonautomatic Automatic	500W 1000W	3 A 6 A
8	Mixer / Juicer	300W	2 A
9	TV / VCR / VCP	200W	1 A
10	Music system	200W	1 A
11	Refrigerator 165 ltrs 285 ltrs 350 ltrs	400W 600W 750W	3 A 4 A 6 A
12	Toaster	500W	3 A
13	Vacuum Cleaner	400W	3 A
14	Washing Machine without heater with heater	300-1300W 5000-6300W	10 A 32 A
15	Water Cooler	700W	6 A
16	Desert Cooler	300W	2 A
17	Oven	750W	6 A
18	Electric Kettle	1500W	7.5 A
19	Air Conditioner 1 ton 1.5 ton 2 ton	1000W 1500W 2000W	10 A 16 A 16 A
20	Hair Dryer	1000W	7.5 A
21	Microwave	800W	6 A

Formula for Calculations :

$$\text{Incomer Rating : Single Phase} = \frac{\text{Total Load in Watts}}{230 \text{ volts} \times \cos \phi}$$

$$\text{Three Phase} = \frac{\text{Total Load in Watts}}{\sqrt{3} \times 415 \text{ volts} \times \cos \phi}$$

* The given data is only for guidance and may vary for different manufacturers.

Cable Size	Conduit Size and Gauge			
	16mm or 5/8"	20mm or 3/4"	25mm or 1"	32mm or 1¼"
Nominal Conductor Size mm²				
	Number of Cables (maximum)			
1.0	6	7	19	30
1.5	5	5	15	24
2.5	3	4	11	17
4	2	3	8	13
6	2	2	6	10
10	-	-	4	6
16	-	-	3	4
25	-	-	2	3
35	-	-	-	2
50	-	-	-	-

* The given data is only for guidance and may vary for different manufacturers.

Cable selection chart

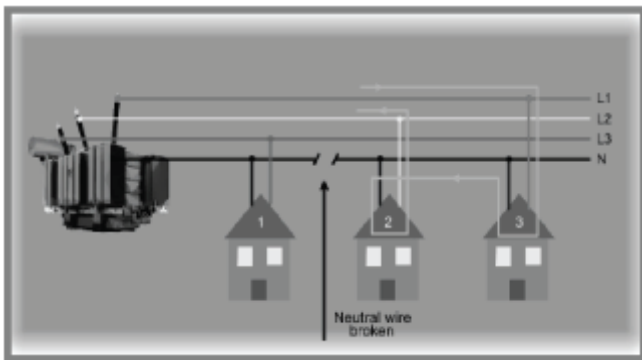
Single core cable (Flexible) voltage grade 1100 V, conforming to IS : 694-1990

Nominal area of conductor	Current carrying capacity as per IS:3961	Max. Resistance per km. at 20°C
Sq. mm.	Amp.	Ohms
1.0	11	19.50
1.5	14	13.30
2.5	19	7.98
4.0	26	4.95
6.0	31	3.30
10	42	1.91
16	57	1.21
25	71	0.78

* The given data is only for guidance and may vary for different manufacturers.

Permanent over voltage is a common problem faced by users due to external or internal factors. Over voltage is caused due to following:

- Over voltage from electricity board
- Loss of neutral or loose neutral wire termination
- Wrong Connection like Interchange of P & N conductors in RYBN wire
- Harmonics



Phase – Phase voltage during loss of neutral

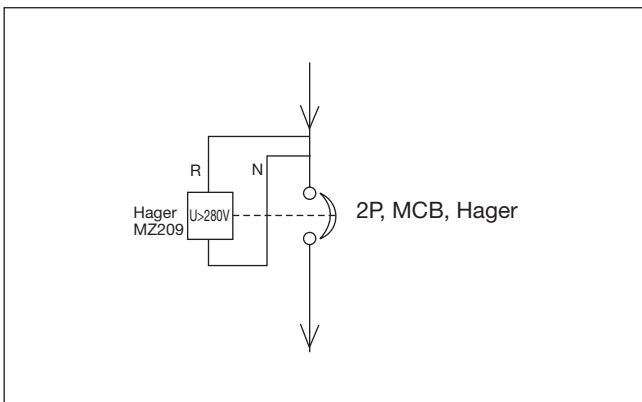
Hager MZ209 continuously monitors the voltage between phase and neutral conductors. As the voltage increases beyond 267VAC (240VAC + 10%), MZ209 immediately disconnects the power supply through the connected MCB thus avoiding the damage to the equipments. This ensures safety both in case of presence and absence of people at home.



Safety to human and expensive electronic equipments

Connections:

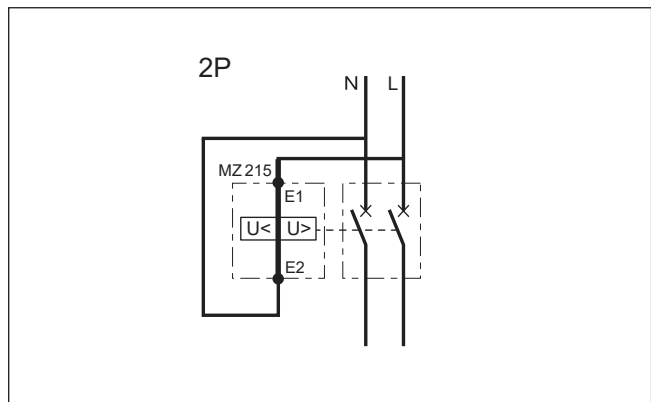
MZ209 is mechanical connected with mcb and does not need any tool for coupling with the MCB. Electrical connections are made with small size wire of 1sqmm from Phase and Neutral conductors in parallel. Phase and Neutral can be connected to either side of MZ209 and only one number per phase is required for protection against over voltage problems.



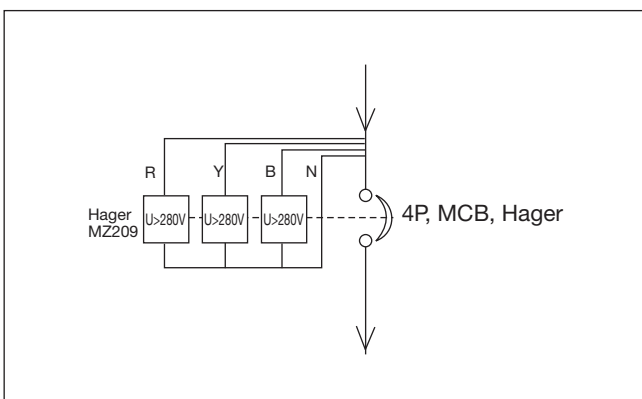
Single Phase connections

Connections:

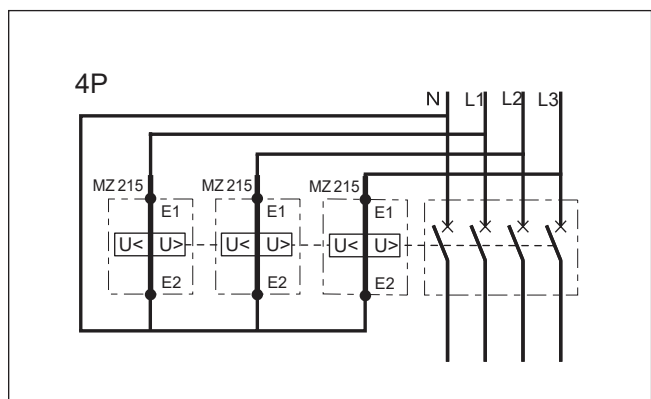
MZ215 is the ideal solution to protect equipments from over and low voltage problems. Unique modular design and simple wiring makes it convenient to mount in standard enclosures with Hager MCB, RCCB or RCBO. MZ215 continuously monitors voltage between Phase and Neutral to disconnect when voltage is high or low.



Single Phase connections



Three Phase connections



Three Phase connections

Dispatch lead time for non-stockable references:

- MCBs / RCCBs / RCBOs - 2 weeks
- novello⁺ distribution boards - 4 - 6 weeks
- golf, vector enclosures & MCCBs - 8 weeks
- Manual changeover switches - 4 - 6 weeks
- Automatic transfer switches - 6 - 8 weeks
- Others - 4 - 6 weeks
- The above delivery lead times are subject to change without prior notice. Please contact your nearest Sales representative / Office for latest delivery lead times.

Terms & Conditions

- Price means Maximum Retail Price (M.R.P).
- This price list supercedes all previous price list.
- Price is in Indian Rupees (₹) and inclusive of GST / taxes / duties as applicable.
- Delivery term is "Door Delivery".
- Prices are subject to revision without notice. All dispatch will be as per price prevailing on the date of invoice.
- Enclosures / Distribution Boards have the provision for fixing the component as shown in the photograph.
- Images are for representation purpose only, actual product may vary.
- For all Insysta Color reference and real material, minimum ordering quantity will be applicable. Please connect with sales representative for details regarding MOQ.
- All the products listed in the price list carry a warranty, against manufacturing defects for a period of 24 months from the date of Hager invoicing.
- The warranty is however subject to proper usage and maintenance and does not cover defects arising out of improper installation, inefficient maintenance, faulty operation and willful or accidental damage including nonperformance, which is caused by an event constituting Force Majeure, i.e. including (but not limited to) pandemic, fire, floods, administrative orders etc.
- Hager and / or manufacturer shall not be liable for any consequential loss, including personal injury or damages arising out of, or in connection with, defects in the Products including claim by third party.
- Proof of purchase to be retained to avail warranty.

* Product development is a continuous process and hence the described content in the pricelist are subject to change without prior notice. Contact your nearest Hager Partner for the latest information.

Always near

North

Delhi & NCR
Haryana
Uttar Pradesh
Punjab
Chandigarh
Jammu & Kashmir
Rajasthan

East

West Bengal
Orissa
Jharkhand
Assam

West

Maharashtra
Gujarat
Madhya Pradesh
Chattisgarh

South

Tamilnadu
Karnataka
Kerala
Telangana
Andhra Pradesh

Our network to serve you better

- 350+ Authorised Channel Partners
- 35+ System Integrators
- 25+ Service Centers



We are also there for you 24 hours:
hager.co.in



Hager Electro Private Limited

Global Industrial Park
G. No. 185, Alandi - Ahmednagar Road,
Phulgaon, Pune-412216
India

Tel: +91 20 66784500
Toll free no.: 1800 103 5440
hagerwow@hager.co.in
hager.co.in

Mumbai Sales Office:

WeWork Raheja Platinum, Sag Baug Road,
off, Andheri - Kurla Rd, Marol,
Andheri East, Mumbai,
Maharashtra 400059
India

Delhi Sales Office:

We are Shifting to new Premises
+91 9717792555
ashwani.singh@hager.com

Kolkata Sales Office:

Office # 506, 5th Floor
Shantiniketan Building
8, Camac Street
Kolkata-700017
India

Bengaluru Sales Office:

WeWork Galaxy
02A129, 43 Residency Rd
Bengaluru-560025
India

Tel: +91 80 44451100